



Supplying the Finest
High Performance Bearings
From Around the World



VNC Bearing, Inc.
3885 Paragon Drive
Columbus, Ohio 43228
Ph: 614-876-1000
Fax: 614-876-1101

BEARING INC.

Products

- Ball Bearings
- Roller Bearings
- Thrust Bearings
- Turntable Bearings
- Slewing Ring Bearings
- Grease and Oil Seals

Industries

- Automotive
- Electric Motor / Pump
- Exercise & Leisure
- Trailer
- Wind Power
- Power Transfer

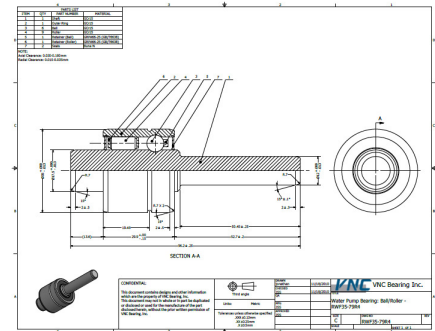
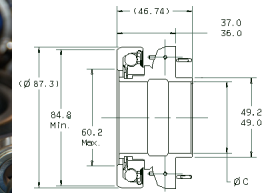
Facility

- Sales Office
- Warehousing
- Inspection Lab

Automotive

Powertrain, Chassis, Electrical Accessories:
VNC has you covered!

- Powertrain
 - Engine bearings
 - Transmission bearings
 - Turbocharger bearings
 - Clutch Release bearings
- Chassis
 - Wheel Hubs
 - Brakes
 - Power Steering bearings
 - ABS bearings
- Electrical Accessories
 - Idler and Tensioner pulleys
 - Alternator bearings
 - Water pump bearings
 - Compressor bearings
- ISO-9001:2008, TS-16949 and QS-9000



VNC: Your partner now and for the future.

Why VNC bearings for the Automotive Industry?

- Proven: A track record of reliability combined with the best warranty in the business.
- Stock: Just-in-time shipments, Same day shipments, Last minute shipments.
- Technical Support: Meeting both your current demands and future development.

Our Automotive customers also purchase

Ball Bearings



Thrust Bearings



Needle Roller Bearings



Grease / Oil Seals



Committed and Capable:

Our NEW Inspection Lab is the latest addition to the A to Z support provided by VNC.

- Sales
- Warehousing
- Engineering
- Failure Analysis

Visit us at: www.vncbearing.com

NEW: VNC Inspection Lab

