



Supplying the Finest  
High Performance Bearings  
From Around the World



VNC Bearing, Inc.  
3885 Paragon Drive  
Columbus, Ohio 43228  
Ph: 614-876-1000  
Fax: 614-876-1101

## BEARING INC.

### Products

- Ball Bearings
- Roller Bearings
- Thrust Bearings
- Turntable Bearings
- Slewing Ring Bearings
- Grease and Oil Seals

### Industries

- Trailer
- Electric Motor / Pump
- Wind Power

### Facility

- Sales Office
- Warehousing
- Inspection Lab

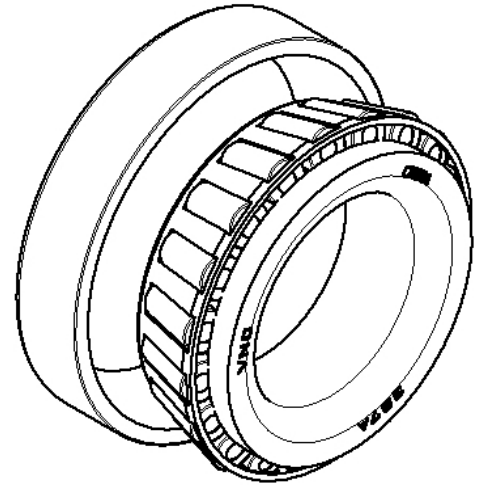
## VNC trailer bearings are:

### Tested For Service

- Certified to SEA J1095—Hub & Drum Fatigue Test
- ISO-9002 Quality Approved Since 1994
- Crowned Roller and Raceways for Long Service Life
- Three Stocking Centers Nationwide
- Value Pricing

### Authorized For Results

## Are you riding with VNC?



### Why VNC for Light Duty and Heavy Duty Trailer?

- History: VNC has supplied the Light and Heavy Duty trailer industry for over 17 years.
- Validated: VNC bearings have been thoroughly tested and approved by many trailer manufacturers in the U.S.A. and abroad.
- Proven: A track record of reliability combined with the best warranty in the business.

### Our trailer customers also purchase:

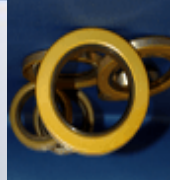
#### Wheel Hubs



#### Caps



#### Grease & Oil Seals



#### Brakes



### Committed and Capable:

Our NEW Inspection Lab is the latest addition to the A to Z support provided by VNC.

- Sales
- Warehousing
- Engineering
- Failure Analysis

Visit us at: [www.vncbearing.com](http://www.vncbearing.com)

### NEW: VNC Inspection Lab

